



SCALE 0.100

54 Frost Road, PO BOX 27-185,
Mt Roskill Auckland.
Phone : 64-9-6204128, Fax : 64-9-6292046
E-mail : info@anglo.co.nz, Web : www.anglo.co.nz

This document contains confidential information which is proprietary to Anglo Engineering. Neither the document nor the information contained therein shall be disclosed or reproduced, in whole or in part, without the express written consent of Anglo Engineering.

See Anglo tolerance guide for specific sheetmetal tolerance capabilities	Unless otherwise specified:
	Tolerance [mm]:
	0-100 ±0.5
	100-500 ±0.75
	500-1000 ±1.0
	1000+ ±2.5
	Angle ±1°

Customer: POST IMPRESSIONS

Product: C4

Drawing/Part No:

C4-DIMENSIONS

Drawn by: YS

Date: 27/06/19

Approval stamp

Revision History:

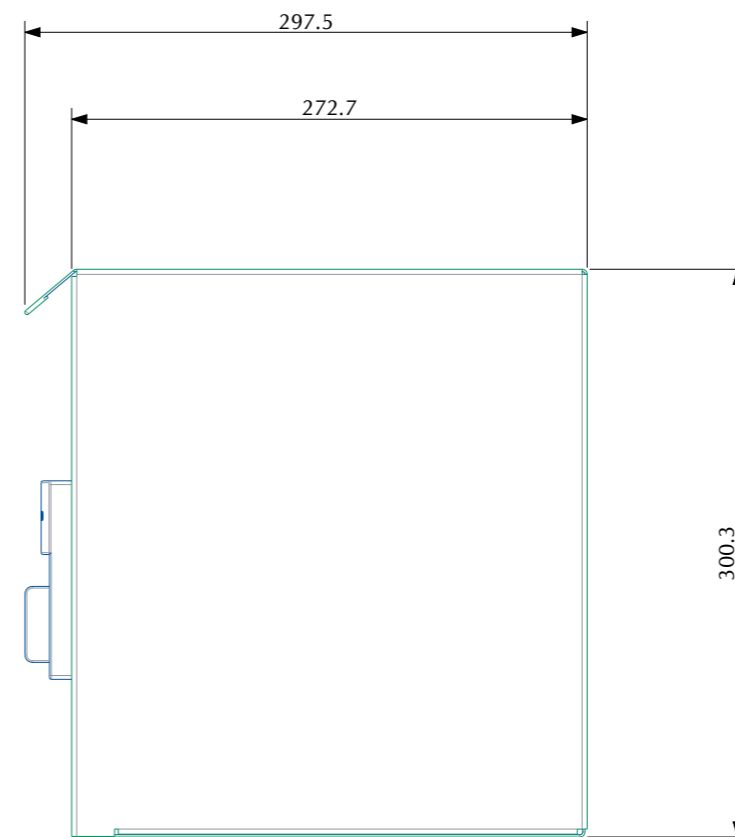
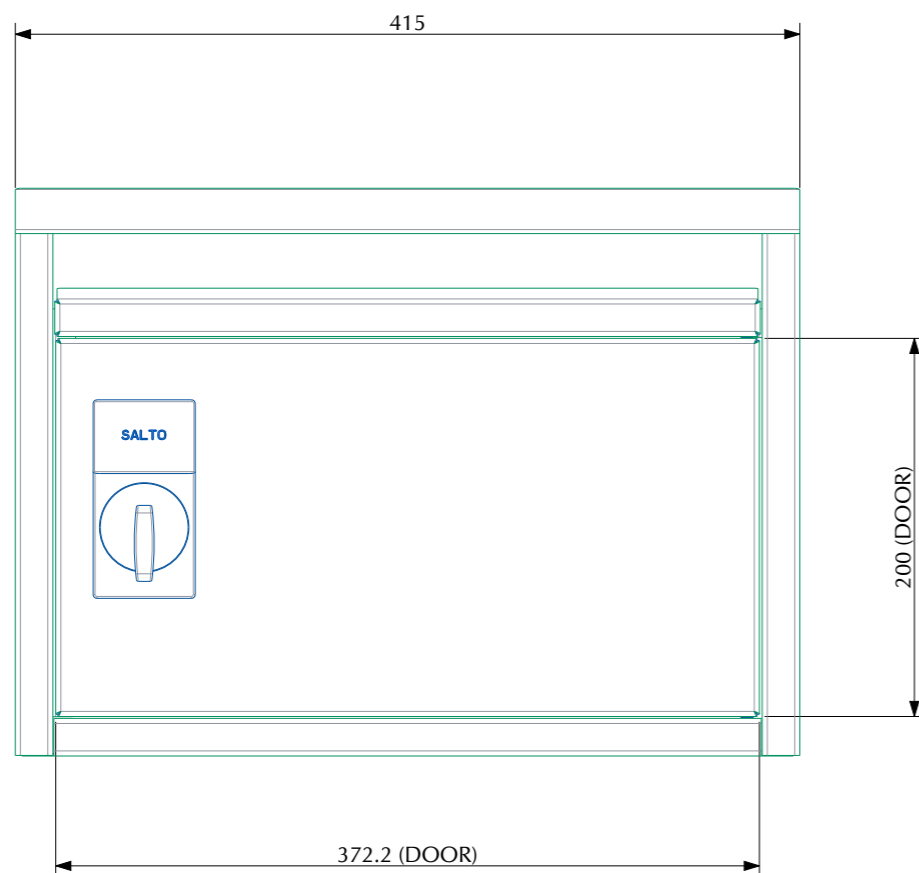
Revision:

1

Scale: 0.250

Units: MM

SHEET: 1 OF 1



4

3

2

1

4

3

2

1

D

D

C

C

B

B

A

A